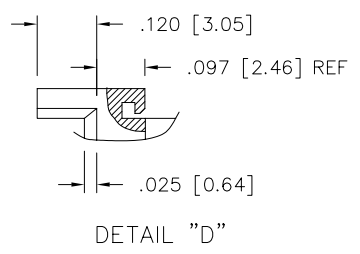
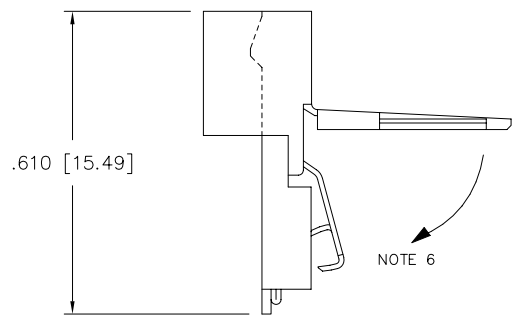
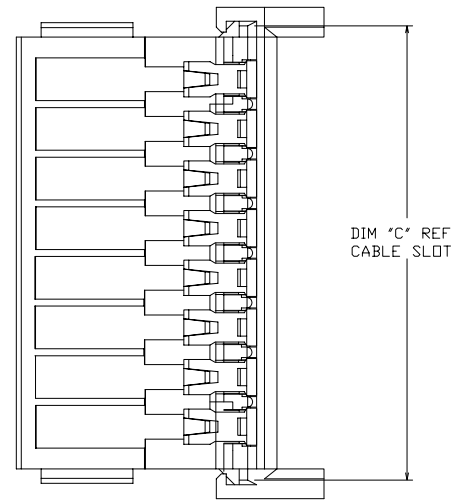
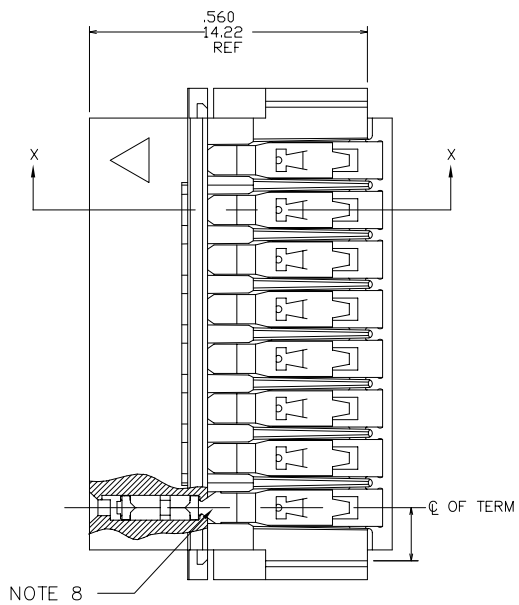
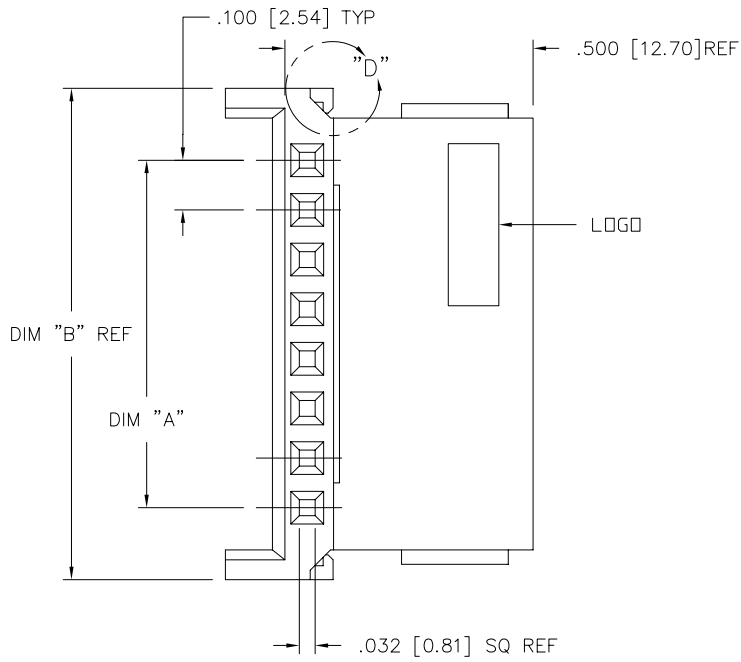


PRODUCT NUMBER  
SEE TABLE



FCJ  
FCIconnect.com  
Copyright FCI

mat'l. code		surface ISO 1302 ✓		tolerance ISO 406 ISO 1101		projection INCH/MM		product family CLINCHER	
ltr		ecn no dr		date		tolerances unless otherwise specified		title	
E	V50168	HTB	1/20/95	angles	.XX±.01/.3	INCH/MM		CLINCHER™ RECEPTACLE ASSEMBLY-LATCHING	
F	V50221	HTB	2/7/95	linear	.xxx±.005/.13	scale 1:3		dwg no sheet 1 of 6 size	
G	V50244	HTB	2/14/95	0'±2'	.xxxx±.0020/.051	FCJ		67516 A3	
H	V51638	HTB	12/29/95	dr	M. FETROW	9/15/94		type Product Customer Drawing	
J	M05-0087	MHT	6/17/05	engr	T. HANNA	9/15/94			
K	M06-0233	AGS	06/12/06	chr	T. BREWBAKER	9/15/94			
L	M07-0170	MHT	3/30/07	appd	T. HANNA	9/15/94			
sheet index	revision	L	L	L	L	L	L		
	sheet	1	2	3	4	5	6		

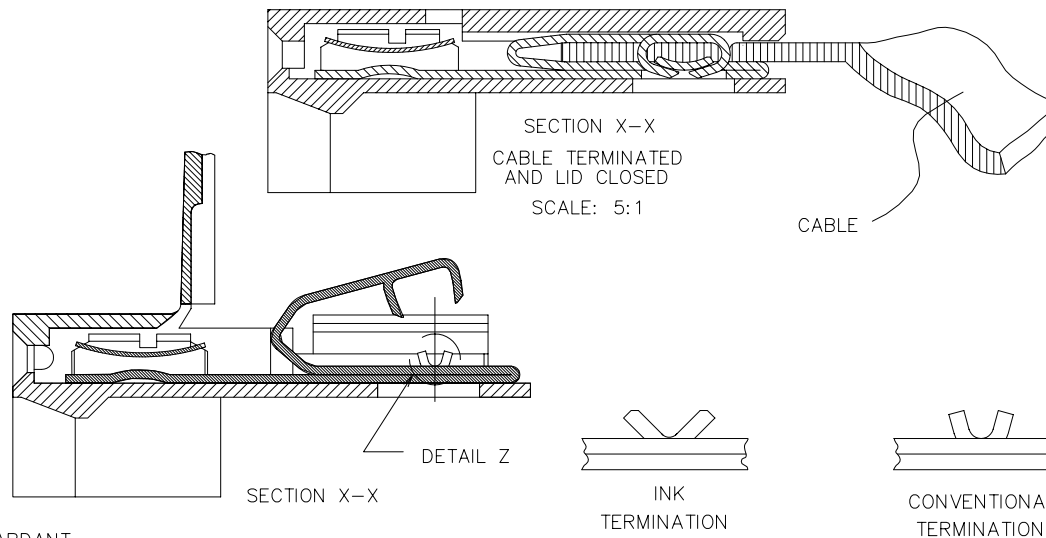
form: A3

PRODUCT NUMBER	PLATING AVAILABLE		
SEE TABLE	PLATING CODE	TERMINAL	SPRING
	1	100u"/2.54u MIN. THICK PURE TIN	10u"/.25u MIN. THICK PURE TIN
	2	30u"/.76u MIN. GOLD STRIPE IN BOX AREA	3u"/.08u MIN. GOLD OVER 50u"/1.27u MIN. NICKEL

PRODUCT NUMBER

67516-XXXLF

- LEAD FREE OPTION  
NOTE 9,10
- NO OF POSITIONS  
AND PLATING
- BASE PART NUMBER



NOTES:

1. HOUSING MATERIAL: THERMOPLASTIC, FLAME RETARDANT PER UL 94V-0. COLOR: BLUE.
2. TERMINAL MATERIAL: 1/2 HARD Cu Ni ALLOY, UNS-C72500.
3. TERMINAL PLATING: SEE TABLE.
4. SEE TA-372 FOR CRIMP HEIGHT.
5. FOR CABLE & CIRCUITRY INFORMATION SEE TA-264 AND TA-371.
6. LATCH SNAPS CLOSED AFTER TERMINATION MAINTAINING A MAX OVER ALL HEIGHT OF .100/2.54.
7. NO CENTER HINGE 2 THRU 8 POSITIONS. SINGLE CENTER HINGE 9 THRU 15 POSITIONS. TWO CENTER HINGES FOR 16 POSITION PARTS.
8. KNURL MARK INDICATES FOR USE WITH INK TERMINATION. CONSULT WITH BERG ELECTRONICS TECHNICAL REPRESENTATIVE FOR SPECIFIC APPLICATIONS.
9. ADD "LF" SUFFIX AT THE END OF PART NUMBER FOR LEAD FREE OPTION.
10. THIS PRODUCT MEETS EUROPEAN UNION DIRECTIVES AND OTHER COUNTRY REGULATION AS DESCRIBED IN GS-22-008.
11. THE PRODUCT IS NOT INTENDED TO BE EXPOSED TO A MANUFACTURING SOLDER PROCESS

mat'l. code		surface ISO 1302 ✓		tolerance ISO 406 ISO 1101		projection ⊕		product family CLINCHER	
ltr		ecn no dr		date		tolerances unless otherwise specified		title	
L						.XX±.01/.3		INCH/MM	
				angles		linear .xxx±.005/.13		CLINCHER™ RECEPTACLE ASSEMBLY-LATCHING	
				0'±2'		.xxxx±.0020/.051		scale 1:3	
				dr		M. FETROW 9/15/94		dwg no	
				enrg		T. HANNA 9/15/94		sheet 2 of 6 size	
				chr		T.BREWBAKER 9/15/94		67516 A3	
				appd		T.HANNA 9/15/94		type Product Customer Drawing	
sheet index		revision sheet							

PRODUCT NUMBER	NO. OF	DIM. A	DIM. A	DIM. B	DIM. B	DIM. C	DIM. C	PLATING	TERMINATION
NOTE 9	POS.	ENGLISH	METRIC	ENGLISH	METRIC	ENGLISH	METRIC	CODE	NOTE 8
67516-001		U N A	S S I G	N E D					
67516-002	2	0.100	2.54	0.390	9.91	0.315	8.00	1	CONVENTIONAL
67516-003	3	0.200	5.08	0.490	12.45	0.415	10.54	1	CONVENTIONAL
67516-004	4	0.300	7.62	0.590	14.99	0.515	13.08	1	CONVENTIONAL
67516-005	5	0.400	10.16	0.690	17.53	0.615	15.62	1	CONVENTIONAL
67516-006	6	0.500	12.70	0.790	20.07	0.715	18.16	1	CONVENTIONAL
67516-007	7	0.600	15.24	0.890	22.61	0.815	20.70	1	CONVENTIONAL
67516-008	8	0.700	17.78	0.990	25.15	0.915	23.24	1	CONVENTIONAL
67516-009	9	0.800	20.32	1.090	27.69	1.015	25.78	1	CONVENTIONAL
67516-010	10	0.900	22.86	1.190	30.23	1.115	28.32	1	CONVENTIONAL
67516-011	11	1.000	25.40	1.290	32.77	1.215	30.86	1	CONVENTIONAL
67516-012	12	1.100	27.94	1.390	35.31	1.315	33.40	1	CONVENTIONAL
67516-013	13	1.200	30.48	1.490	37.85	1.415	35.94	1	CONVENTIONAL
67516-014	14	1.300	33.02	1.590	40.39	1.515	38.48	1	CONVENTIONAL
67516-015	15	1.400	35.56	1.690	42.93	1.615	41.02	1	CONVENTIONAL
67516-016	16	1.500	38.10	1.790	45.47	1.715	43.56	1	CONVENTIONAL



Copyright FCJ

mat'l. code		surface ISO 1302 <input checked="" type="checkbox"/>		tolerance ISO 406 ISO 1101		projection 		product family CLINCHER	
ltr	ecn no	dr	date	tolerances unless otherwise specified		INCH/MM		title CLINCHER™ RECEPTACLE ASSEMBLY-LATCHING	
L				angles	linear	.XX±.01/.3	scale 1:3		
				0'±2'		.xxx±.005/.13			
						.xxxx±.0020/.051			
		dr	M. FETROW	9/15/94			dwg no sheet 3 of 6 size		
		enr	T. HANNA	9/15/94			67516 A3		
		chr	T.BREWBAKER	9/15/94			type Product Customer Drawing		
		appd	T.HANNA	9/15/94					
sheet index	revision sheet								

PRODUCT NUMBER	NO. OF	DIM. A	DIM. A	DIM. B	DIM. B	DIM. C	DIM. C	PLATING	TERMINATION
NOTE 9	POS.	ENGLISH	METRIC	ENGLISH	METRIC	ENGLISH	METRIC	CODE	NOTE 8
67516-201		U N A	S S I G	N E D					
67516-202	2	0.100	2.54	0.390	9.91	0.315	8.00	2	CONVENTIONAL
67516-203	3	0.200	5.08	0.490	12.45	0.415	10.54	2	CONVENTIONAL
67516-204	4	0.300	7.62	0.590	14.99	0.515	13.08	2	CONVENTIONAL
67516-205	5	0.400	10.16	0.690	17.53	0.615	15.62	2	CONVENTIONAL
67516-206	6	0.500	12.70	0.790	20.07	0.715	18.16	2	CONVENTIONAL
67516-207	7	0.600	15.24	0.890	22.61	0.815	20.70	2	CONVENTIONAL
67516-208	8	0.700	17.78	0.990	25.15	0.915	23.24	2	CONVENTIONAL
67516-209	9	0.800	20.32	1.090	27.69	1.015	25.78	2	CONVENTIONAL
67516-210	10	0.900	22.86	1.190	30.23	1.115	28.32	2	CONVENTIONAL
67516-211	11	1.000	25.40	1.290	32.77	1.215	30.86	2	CONVENTIONAL
67516-212	12	1.100	27.94	1.390	35.31	1.315	33.40	2	CONVENTIONAL
67516-213	13	1.200	30.48	1.490	37.85	1.415	35.94	2	CONVENTIONAL
67516-214	14	1.300	33.02	1.590	40.39	1.515	38.48	2	CONVENTIONAL
67516-215	15	1.400	35.56	1.690	42.93	1.615	41.02	2	CONVENTIONAL
67516-216	16	1.500	38.10	1.790	45.47	1.715	43.56	2	CONVENTIONAL



Copyright FCI

mat'l. code		surface ISO 1302 <input checked="" type="checkbox"/>		tolerance ISO 406 ISO 1101		projection 		product family CLINCHER	
ltr	ecn no	dr	date	tolerances unless otherwise specified		INCH/MM		title	
L				angles	linear	.XX±.01/.3	CLINCHER™ RECEPTACLE		
				0'±2'		.xxx±.005/.13	ASSEMBLY-LATCHING		
						.xxxx±.0020/.051	scale 1:3		
		dr	M. FETROW	9/15/94			dwg no		
		enr	T. HANNA	9/15/94			sheet 4 of 6 size		
		chr	T.BREWBAKER	9/15/94			67516		A3
		appd	T.HANNA	9/15/94			type		Product Customer Drawing
sheet index	revision sheet								

form: A3 1 2 3 4 5 6

PRODUCT NUMBER	NO. OF	DIM. A	DIM. A	DIM. B	DIM. B	DIM. C	DIM. C	PLATING	TERMINATION
NOTE 9	POS.	ENGLISH	METRIC	ENGLISH	METRIC	ENGLISH	METRIC	CODE	NOTE 8
67516-501		U N A	S S I G	N E D					
67516-502	2	0.100	2.54	0.390	9.91	0.315	8.00	1	INK
67516-503	3	0.200	5.08	0.490	12.45	0.415	10.54	1	INK
67516-504	4	0.300	7.62	0.590	14.99	0.515	13.08	1	INK
67516-505	5	0.400	10.16	0.690	17.53	0.615	15.62	1	INK
67516-506	6	0.500	12.70	0.790	20.07	0.715	18.16	1	INK
67516-507	7	0.600	15.24	0.890	22.61	0.815	20.70	1	INK
67516-508	8	0.700	17.78	0.990	25.15	0.915	23.24	1	INK
67516-509	9	0.800	20.32	1.090	27.69	1.015	25.78	1	INK
67516-510	10	0.900	22.86	1.190	30.23	1.115	28.32	1	INK
67516-511	11	1.000	25.40	1.290	32.77	1.215	30.86	1	INK
67516-512	12	1.100	27.94	1.390	35.31	1.315	33.40	1	INK
67516-513	13	1.200	30.48	1.490	37.85	1.415	35.94	1	INK
67516-514	14	1.300	33.02	1.590	40.39	1.515	38.48	1	INK
67516-515	15	1.400	35.56	1.690	42.93	1.615	41.02	1	INK
67516-516	16	1.500	38.10	1.790	45.47	1.715	43.56	1	INK



Copyright FCI

mat'l. code		surface ISO 1302 <input checked="" type="checkbox"/>		tolerance ISO 406 ISO 1101		projection 		product family CLINCHER	
ltr	ecn	no	dr	date	tolerances unless otherwise specified		INCH/MM	title	
L					angles	.XX±.01/.3		CLINCHER™ RECEPTACLE ASSEMBLY-LATCHING	
					linear	.xxx±.005/.13	scale 1:3	dwg no	
					0'±2'	.xxxx±.0020/.051		sheet 5 of 6 size	
					dr	M. FETROW	9/15/94	67516 A3	
					enr	T. HANNA	9/15/94	type Product Customer Drawing	
					chr	T.BREWBAKER	9/15/94		
					appd	T.HANNA	9/15/94		
sheet index	revision sheet								

form: A3 1 2 3 4 5 6

PRODUCT NUMBER	NO. OF	DIM. A	DIM. A	DIM. B	DIM. B	DIM. C	DIM. C	PLATING	TERMINATION
NOTE 9	POS.	ENGLISH	METRIC	ENGLISH	METRIC	ENGLISH	METRIC	CODE	NOTE 8
67516-701		U N A	S S I G	N E D					
67516-702	2	0.100	2.54	0.390	9.91	0.315	8.00	2	INK
67516-703	3	0.200	5.08	0.490	12.45	0.415	10.54	2	INK
67516-704	4	0.300	7.62	0.590	14.99	0.515	13.08	2	INK
67516-705	5	0.400	10.16	0.690	17.53	0.615	15.62	2	INK
67516-706	6	0.500	12.70	0.790	20.07	0.715	18.16	2	INK
67516-707	7	0.600	15.24	0.890	22.61	0.815	20.70	2	INK
67516-708	8	0.700	17.78	0.990	25.15	0.915	23.24	2	INK
67516-709	9	0.800	20.32	1.090	27.69	1.015	25.78	2	INK
67516-710	10	0.900	22.86	1.190	30.23	1.115	28.32	2	INK
67516-711	11	1.000	25.40	1.290	32.77	1.215	30.86	2	INK
67516-712	12	1.100	27.94	1.390	35.31	1.315	33.40	2	INK
67516-713	13	1.200	30.48	1.490	37.85	1.415	35.94	2	INK
67516-714	14	1.300	33.02	1.590	40.39	1.515	38.48	2	INK
67516-715	15	1.400	35.56	1.690	42.93	1.615	41.02	2	INK
67516-716	16	1.500	38.10	1.790	45.47	1.715	43.56	2	INK



Copyright FCJ

mat'l. code		surface ISO 1302 <input checked="" type="checkbox"/>		tolerance ISO 406 ISO 1101		projection 		product family CLINCHER	
ltr	ecn no	dr	date	tolerances unless otherwise specified		INCH/MM		title	
L				angles	.XX±.01/.3	scale 1:3		CLINCHER™ RECEPTACLE ASSEMBLY-LATCHING	
				linear	.xxx±.005/.13			dwg no	
				0'±2'	.xxxx±.0020/.051			sheet 6 of 6 size	
				dr	M. FETROW	9/15/94		67516	
				enr	T. HANNA	9/15/94		A3	
				chr	T.BREWBAKER	9/15/94		type	
				appd	T.HANNA	9/15/94		Product Customer Drawing	
sheet index	revision sheet								